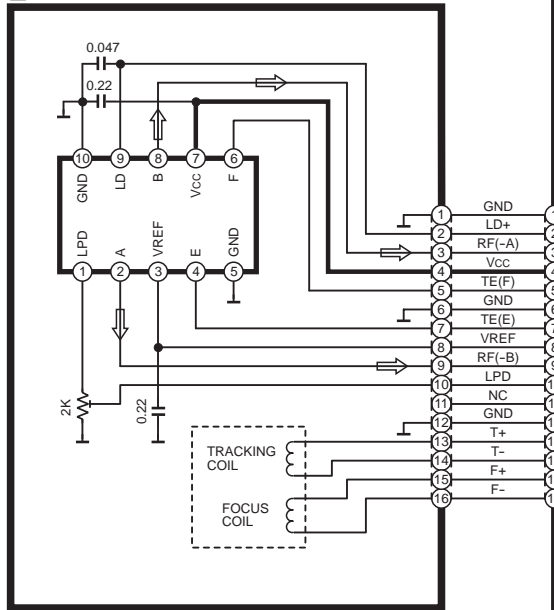
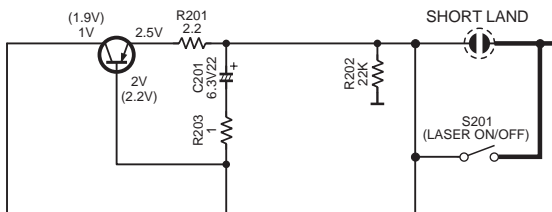


→ : POSITIVE VOLTAGE LINE ⇨ : CD PLAYBACK SIGNAL LINE

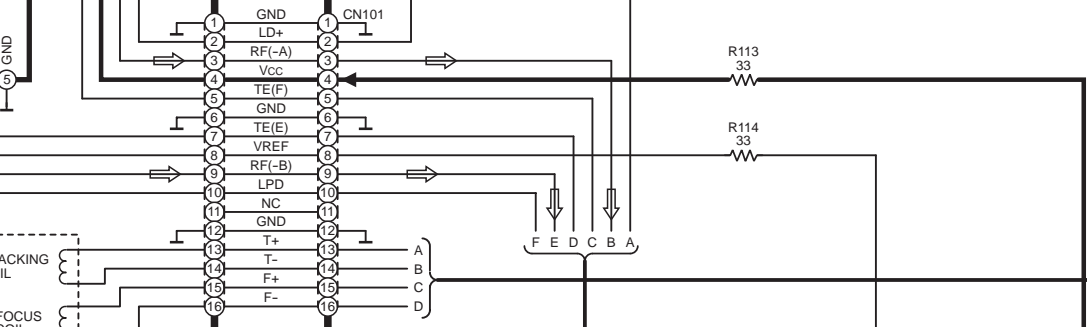
OPTICAL PICKUP



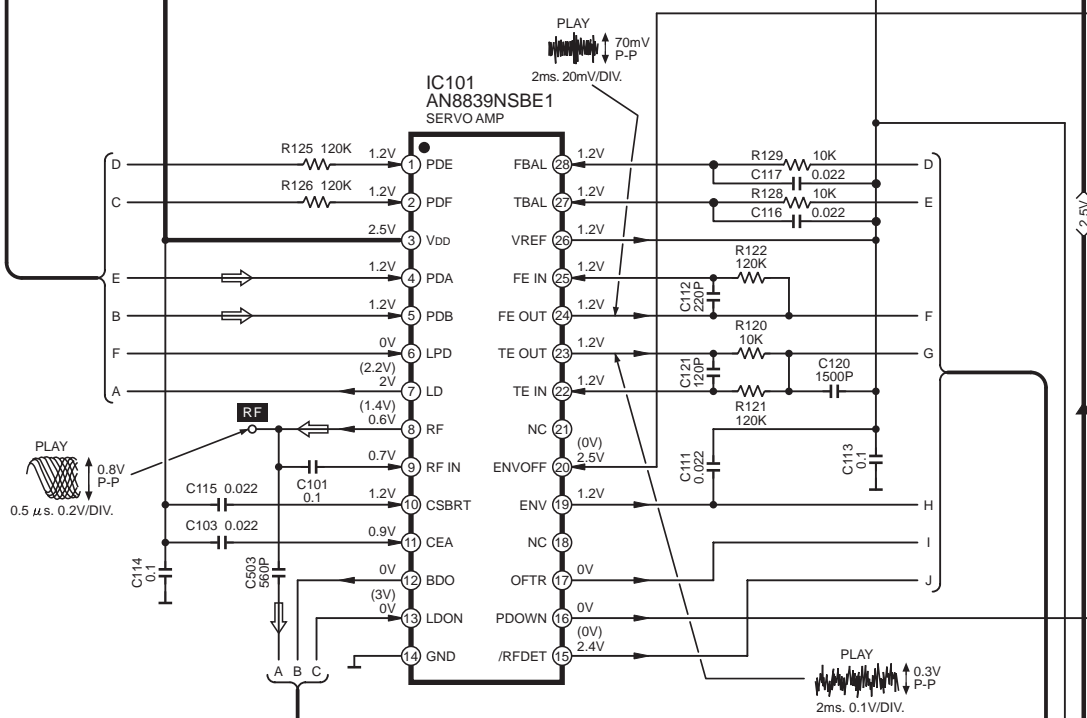
Q201 2SB709ATX LASER POWER DRIVE



SHORT LAND

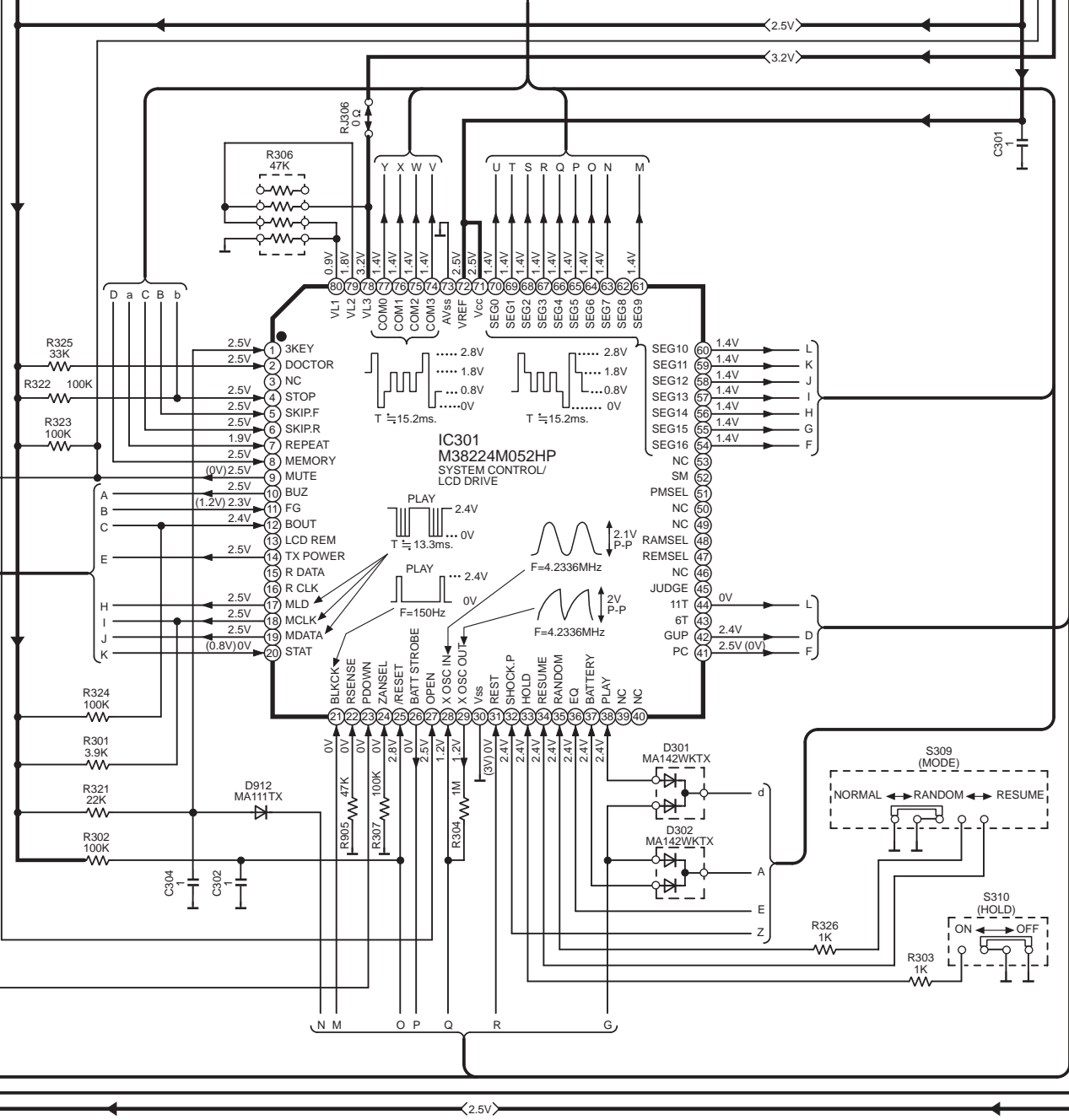
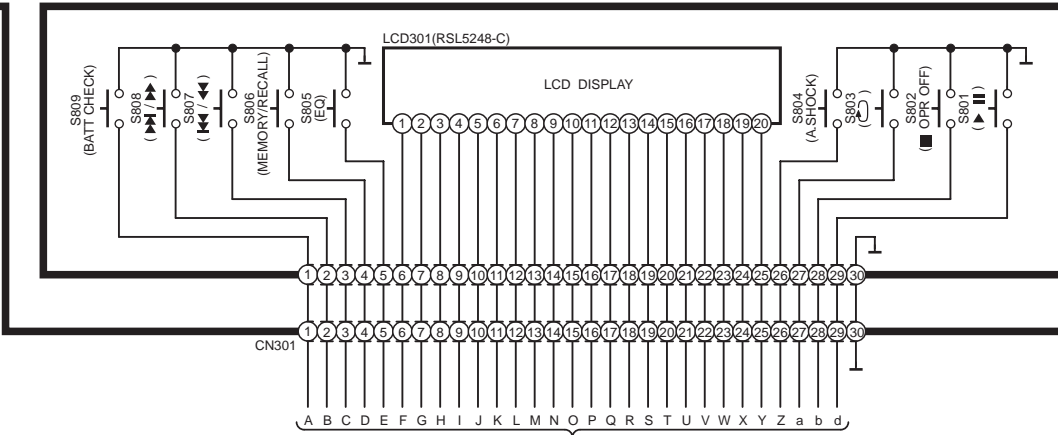


IC101 AN8839NSBE1 SERVO AMP



OPERATION/ LCD UNIT

→ : POSITIVE VOLTAGE LINE



→ : POSITIVE VOLTAGE LINE ⇨ : CD PLAYBACK SIGNAL LINE

